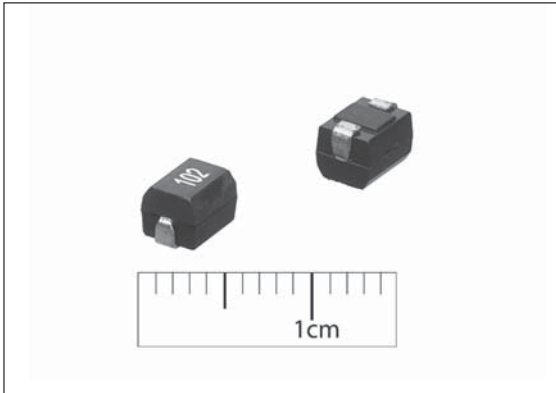


# WIRE WOUND CHIP INDUCTORS (CC SERIES-Large Current Series)

**trio**



## ● PART NUMBERING

CC- □□□ □ □□ □ □□  
(1) (2) (3) (4) (5) (6)

- (1) Series
- (2) Inductance
- (3) Tolerance
- (4) Dimension
- (5) Material
- (6) Internal Serial No.

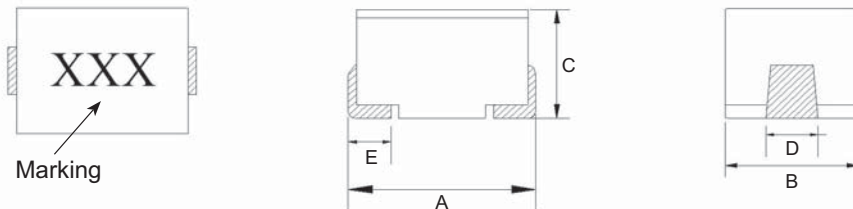
## ● FEATURES

- Leaching resistant terminations due to metal tab electrodes.
- Providing high Q in the small winding structure.
- Accurate dimensions and resistant to mechanical shock or pressure.
- High resistance to heat and humidity.
- Low DCR and large current type available.

## ● APPLICATIONS

- LCD TVs, personal computers, HDDs
- Video cameras, portable VCRs
- Car radios, car stereos, thin type radios
- Television tuners, mobile phones, radio equipment, and other various electronics appliances

## ● CONFIGURATIONS & DIMENSIONS



Unit : mm

SERIES	A	B	C	D	E
CC-093	4.5±0.3	3.2±0.3	3.2±0.3	1.4±0.4	0.9±0.2
CC-103	5.8±0.3	5.2±0.3	5.2±0.3	1.8±0.3	1.3±0.2

- For packaging information, please refer to page P.193.
- Operating temperature range : -25°C to +85°C

CC  
10

# WIRE WOUND CHIP INDUCTORS (CC SERIES-Large Current Series)

**trio**

## ● ELECTRICAL CHARACTERISTICS

New Part No.	Old Part No.	L ( $\mu$ H)	Q (Min.)	FREQ. (MHz)	SRF (MHz, Min.)	DCR ( $\Omega$ , Max.)	IDC (mA, Max.)
CC-10A□093□□	CMG453232-1R0□L10	1.0	10	7.96	200	0.11	1050
CC-12A□093□□	CMG453232-1R2□L10	1.2	10	7.96	155	0.12	1000
CC-15A□093□□	CMG453232-1R5□L09	1.5	10	7.96	130	0.15	950
CC-18A□093□□	CMG453232-1R8□L09	1.8	10	7.96	100	0.16	900
CC-22A□093□□	CMG453232-2R2□L08	2.2	10	7.96	80	0.18	850
CC-27A□093□□	CMG453232-2R7□L08	2.7	10	7.96	55	0.20	800
CC-33A□093□□	CMG453232-3R3□L07	3.3	10	7.96	45	0.22	750
CC-39A□093□□	CMG453232-3R9□L07	3.9	10	7.96	40	0.24	700
CC-47A□093□□	CMG453232-4R7□L06	4.7	10	7.96	35	0.27	650
CC-56A□093□□	CMG453232-5R6□L06	5.6	10	7.96	30	0.30	650
CC-68A□093□□	CMG453232-6R8□L06	6.8	10	7.96	28	0.35	600
CC-82A□093□□	CMG453232-8R2□L06	8.2	10	7.96	25	0.40	600
CC-100□093□□	CMG453232-100□L05	10	10	2.52	22	0.50	550
CC-120□093□□	CMG453232-120□L05	12	10	2.52	21	0.60	500
CC-150□093□□	CMG453232-150□L04	15	10	2.52	20	0.70	450
CC-180□093□□	CMG453232-180□L04	18	10	2.52	18	0.80	400
CC-220□093□□	CMG453232-220□L03	22	10	2.52	17	0.90	370
CC-270□093□□	CMG453232-270□L03	27	10	2.52	15	1.20	330
CC-330□093□□	CMG453232-330□L03	33	10	2.52	14	1.40	300
CC-390□093□□	CMG453232-390□L02	39	10	2.52	12	1.60	280
CC-470□093□□	CMG453232-470□L02	47	10	2.52	11.5	1.90	260
CC-560□093□□	CMG453232-560□L02	56	10	2.52	10.5	2.20	240
CC-680□093□□	CMG453232-680□L02	68	10	2.52	9.0	2.60	220
CC-820□093□□	CMG453232-820□L02	82	10	2.52	8.5	3.50	200
CC-101□093□□	CMG453232-101□L01	100	20	0.796	7.0	4.00	180
CC-121□093□□	CMG453232-121□L01	120	20	0.796	6.5	4.50	160
CC-151□093□□	CMG453232-151□L01	150	20	0.796	6.0	6.50	140
CC-181□093□□	CMG453232-181□L01	180	20	0.796	5.5	7.50	120
CC-221□093□□	CMG453232-221□L01	220	20	0.796	5.0	9.00	120
CC-271□093□□	CMG453232-271□L01	270	20	0.796	4.5	11.0	100
CC-331□093□□	CMG453232-331□L00	330	20	0.252	4.0	13.0	90

• Operating temperature range : -25°C to +85°C

# WIRE WOUND CHIP INDUCTORS (CC SERIES-Large Current Series)

**trio**

## ● ELECTRICAL CHARACTERISTICS

New Part No.	Old Part No.	L ( $\mu$ H)	Q (Min.)	FREQ. (MHz)	SRF (MHz, Min.)	DCR ( $\Omega$ , Max.)	IDC (mA, Max.)
CC-10A□103□□	CMG565050-1R0□L18	1.0	10	7.96	95	0.03	1800
CC-12A□103□□	CMG565050-1R2□L17	1.2	10	7.96	70	0.035	1700
CC-15A□103□□	CMG565050-1R5□L16	1.5	10	7.96	55	0.04	1600
CC-18A□103□□	CMG565050-1R8□L14	1.8	10	7.96	47	0.05	1400
CC-22A□103□□	CMG565050-2R2□L13	2.2	10	7.96	42	0.06	1300
CC-27A□103□□	CMG565050-2R7□L12	2.7	10	7.96	37	0.07	1200
CC-33A□103□□	CMG565050-3R3□L11	3.3	10	7.96	34	0.08	1120
CC-39A□103□□	CMG565050-3R9□L10	3.9	10	7.96	32	0.09	1050
CC-47A□103□□	CMG565050-4R7□L09	4.7	10	7.96	29	0.11	950
CC-56A□103□□	CMG565050-5R6□L08	5.6	10	7.96	26	0.13	880
CC-68A□103□□	CMG565050-6R8□L08	6.8	10	7.96	24	0.15	810
CC-82A□103□□	CMG565050-8R2□L07	8.2	10	7.96	22	0.18	750
CC-100□103□□	CMG565050-100□L06	10	10	2.52	19	0.21	690
CC-120□103□□	CMG565050-120□L06	12	10	2.52	17	0.25	630
CC-150□103□□	CMG565050-150□L05	15	10	2.52	16	0.30	580
CC-180□103□□	CMG565050-180□L05	18	10	2.52	14	0.36	530
CC-220□103□□	CMG565050-220□L04	22	10	2.52	13	0.43	480
CC-270□103□□	CMG565050-270□L04	27	10	2.52	11.5	0.52	440
CC-330□103□□	CMG565050-330□L04	33	10	2.52	10.5	0.62	400
CC-390□103□□	CMG565050-390□L03	39	10	2.52	9.5	0.72	370
CC-470□103□□	CMG565050-470□L03	47	10	2.52	8.5	0.85	340
CC-560□103□□	CMG565050-560□L03	56	10	2.52	7.8	1.00	310
CC-680□103□□	CMG565050-680□L02	68	10	2.52	7.0	1.2	290
CC-820□103□□	CMG565050-820□L02	82	10	2.52	6.4	1.4	270
CC-101□103□□	CMG565050-101□L02	100	20	0.796	6.0	1.6	250
CC-121□103□□	CMG565050-121□L02	120	20	0.796	5.4	1.9	230
CC-151□103□□	CMG565050-151□L02	150	20	0.796	4.8	2.2	210
CC-181□103□□	CMG565050-181□L01	180	20	0.796	4.4	2.8	190
CC-221□103□□	CMG565050-221□L01	220	20	0.796	3.9	3.4	170
CC-271□103□□	CMG565050-271□L01	270	20	0.796	3.6	4.2	155
CC-331□103□□	CMG565050-331□L01	330	20	0.796	3.2	4.9	140
CC-391□103□□	CMG565050-391□L01	390	20	0.796	2.9	5.8	130
CC-471□103□□	CMG565050-471□L01	470	20	0.796	2.6	7.0	120
CC-561□103□□	CMG565050-561□L01	560	20	0.796	2.4	8.5	110
CC-681□103□□	CMG565050-681□L01	680	20	0.796	2.2	10	100
CC-821□103□□	CMG565050-821□L00	820	20	0.796	2.0	13	90
CC-102□103□□	CMG565050-102□L00	1000	20	0.252	1.8	15	85

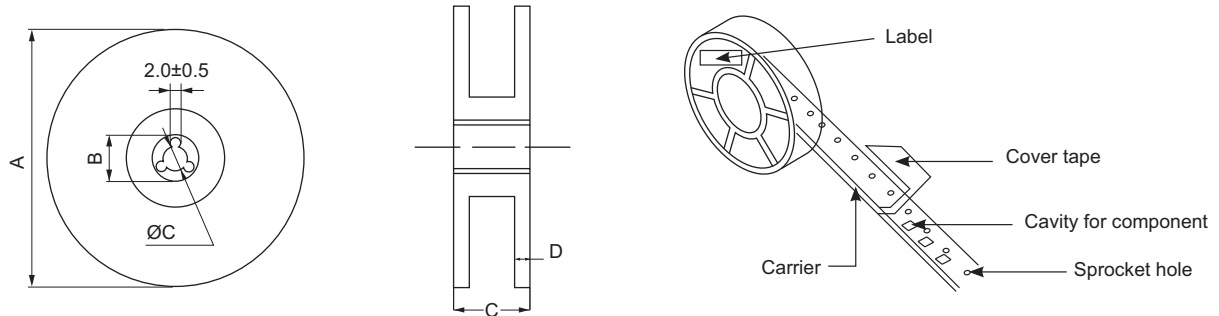
• Operating temperature range : -25°C to +85°C

CC  
12

# WIRE WOUND CHIP INDUCTORS (CC SERIES & Large Current Series)

**trio**

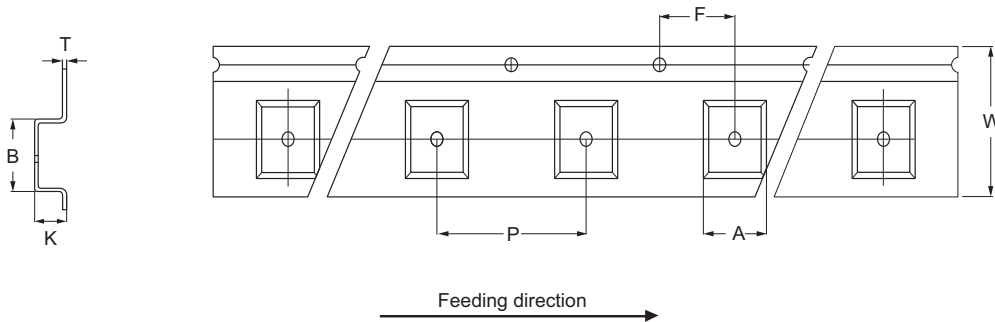
## ● PACKAGING INFORMATION



## ● REEL Dimensions

Unit : mm

SERIES	A	B	C	D	PCS/REEL
CC-041	178	60	12	1.5	2,000
CC-051	178	60	12	1.5	2,000
CC-053	178	60	12	1.5	2,000
CC-071	178	60	16	1.4	2,000
CC-073	178	60	16	1.4	2,000
CC-091	178	60	16	1.4	500
CC-093	178	60	16	1.4	500
CC-101	350	80	22	2.3	1,000
CC-103	350	80	22	2.3	1,000



## ● TAPE Dimensions

Unit : mm

SERIES	A	B	T	W	P	F	K
CC-041	1.85±0.1	2.45±0.1	0.23±0.05	8.00±0.2	4.00±0.1	2.0±0.05	1.45±0.05
CC-051	2.80±0.1	2.95±0.1	0.23±0.05	8.00±0.2	4.00±0.1	2.0±0.05	2.20±0.05
CC-053	2.80±0.1	2.95±0.1	0.23±0.05	8.00±0.2	4.00±0.1	2.0±0.05	2.20±0.05
CC-071	2.96±0.1	3.60±0.1	0.23±0.05	8.00±0.2	4.00±0.1	2.0±0.05	2.40±0.05
CC-073	2.95±0.1	3.85±0.1	0.25±0.05	12.0±0.2	4.00±0.1	2.0±0.05	2.45±0.05
CC-091	3.30±0.1	5.00±0.1	0.30±0.05	12.0±0.2	8.00±0.1	2.0±0.05	3.50±0.05
CC-093	3.30±0.1	5.00±0.1	0.30±0.05	12.0±0.2	8.00±0.1	2.0±0.05	3.50±0.05
CC-101	5.35±0.1	6.10±0.1	0.35±0.05	16.0±0.2	12.0±0.1	2.0±0.05	5.50±0.05
CC-103	5.35±0.1	6.10±0.1	0.35±0.05	16.0±0.2	12.0±0.1	2.0±0.05	5.50±0.05

CC  
13