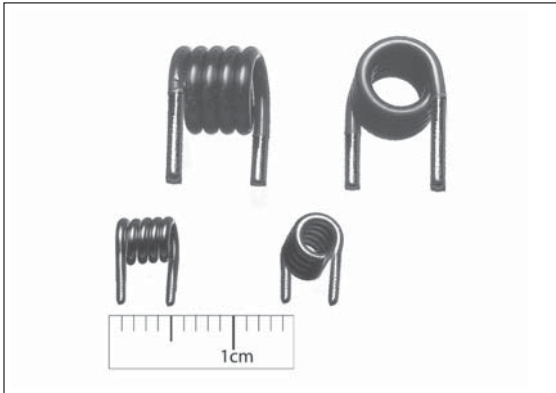


AIR SPRING COILS (LE SERIES)

trio



● PART NUMBERING

LE - □□□ □ □□ □ □□
(1) (2) (3) (4) (5) (6)

- (1) Series
- (2) Inductance
- (3) Tolerance
- (4) Dimension
- (5) Material
- (6) Internal Serial No.

● FEATURES

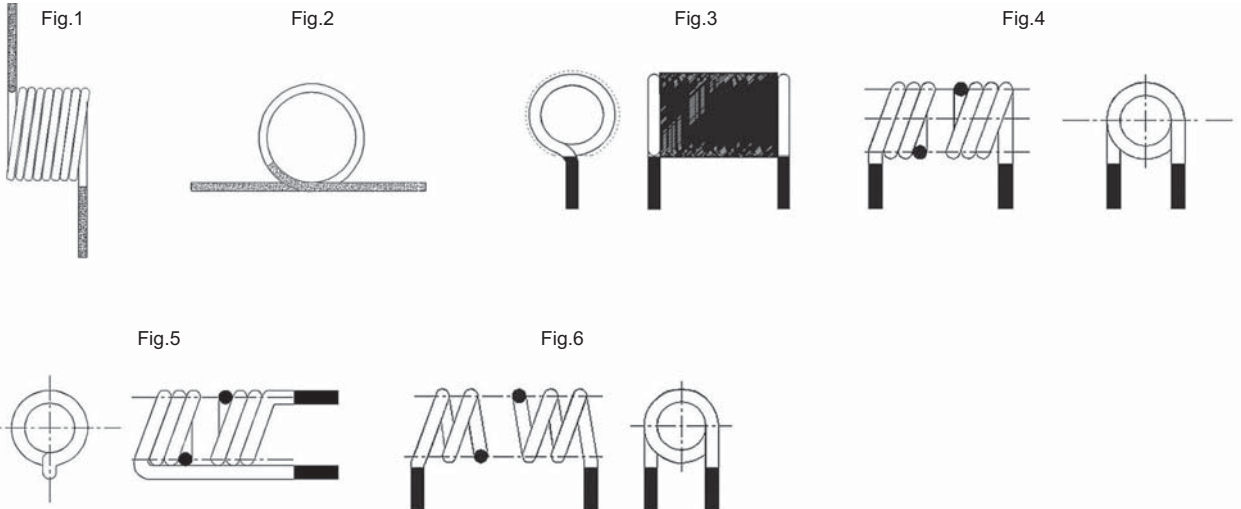
- High saturation current.
- Low cost inductors.
- Various types and wound to customers specifications.
- High Q factors.

● APPLICATIONS

- Telecommunication devices
- Switching regulators
- TVs
- Radios
- RF circuits
- Many high frequency applications

● CONFIGURATIONS

LE
01



Customers' designs and requirements are welcome.