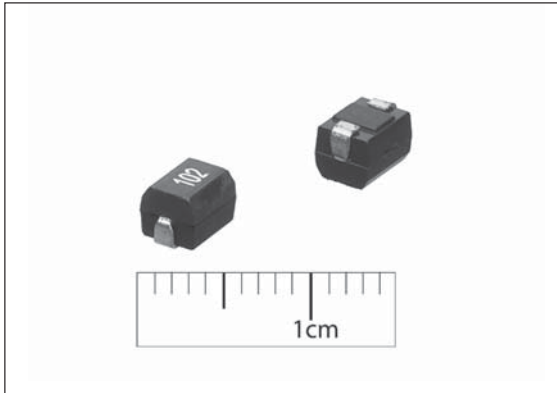


WIRE WOUND CHIP INDUCTORS (CC SERIES)

trio



● PART NUMBERING

CC- □□□ □ □□ □ □□
(1) (2) (3) (4) (5) (6)

- (1) Series
- (2) Inductance
- (3) Tolerance
- (4) Dimension
- (5) Material
- (6) Internal Serial No.

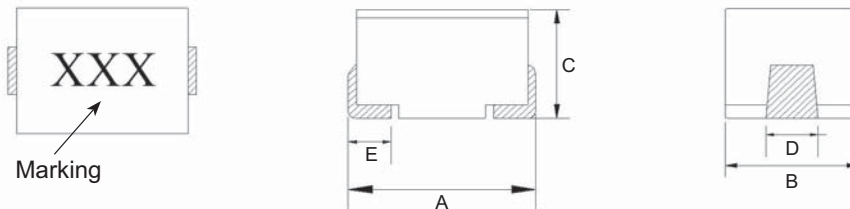
● FEATURES

- Leaching resistant terminations due to metal tab electrodes.
- Providing high Q in the small winding structure.
- Accurate dimensions and resistant to mechanical shock or pressure.
- High resistance to heat and humidity.
- Low RDC and large current type available.

● APPLICATIONS

- LCD TVs, personal computers, HDDs
- Video cameras, portable VCRs
- Car radios, car stereos, thin type radios
- Television tuners, mobile phones, radio equipment, and other various electronics appliances

● CONFIGURATIONS & DIMENSIONS



Unit : mm

SERIES	A	B	C	D	E
CC-071	3.2±0.2	2.5±0.2	2.2±0.2	1.2±0.4	0.6±0.1
CC-091	4.5±0.3	3.2±0.3	3.2±0.3	1.4±0.4	0.9±0.2
CC-101	5.8±0.3	5.2±0.3	5.2±0.3	1.8±0.3	1.3±0.2

- For packaging information, please refer to page P.193.
- Operating temperature range : -25°C to +85°C

CC
04

WIRE WOUND CHIP INDUCTORS (CC SERIES)

trio

● ELECTRICAL CHARACTERISTICS

New Part No.	Old Part No.	L (μ H)	Q (Min.)	FREQ. (MHz)	SRF (MHz, Min.)	DCR (Ω , Max.)	IDC (mA, Max.)
CC-10C□071□□	CMG322522-10N□	0.010	15	100	2500	0.13	450
CC-12C□071□□	CMG322522-12N□	0.012	17	100	2300	0.14	450
CC-15C□071□□	CMG322522-15N□	0.015	19	100	2100	0.16	450
CC-18C□071□□	CMG322522-18N□	0.018	21	100	1900	0.18	450
CC-22C□071□□	CMG322522-22N□	0.022	23	100	1700	0.20	450
CC-27C□071□□	CMG322522-27N□	0.027	23	100	1500	0.22	450
CC-33C□071□□	CMG322522-33N□	0.033	25	100	1400	0.24	450
CC-39C□071□□	CMG322522-39N□	0.039	25	100	1300	0.27	450
CC-47C□071□□	CMG322522-47N□	0.047	26	100	1200	0.30	450
CC-56C□071□□	CMG322522-56N□	0.056	26	100	1100	0.33	450
CC-68C□071□□	CMG322522-68N□	0.068	27	100	1000	0.36	450
CC-82C□071□□	CMG322522-39N□	0.082	27	100	900	0.40	450
CC-10B□071□□	CMG322522-R10□	0.10	28	100	700	0.44	450
CC-12B□071□□	CMG322522-R12□	0.12	30	25.2	500	0.22	450
CC-15B□071□□	CMG322522-R15□	0.15	30	25.2	450	0.25	450
CC-18B□071□□	CMG322522-R18□	0.18	30	25.2	400	0.28	450
CC-22B□071□□	CMG322522-R22□	0.22	30	25.2	350	0.32	450
CC-33B□071□□	CMG322522-R33□	0.33	30	25.2	300	0.40	450
CC-39B□071□□	CMG322522-R39□	0.39	30	25.2	250	0.45	450
CC-47B□071□□	CMG322522-R47□	0.47	30	25.2	220	0.50	450
CC-56B□071□□	CMG322522-R56□	0.56	30	25.2	180	0.55	450
CC-68B□071□□	CMG322522-R68□	0.68	30	25.2	160	0.60	450
CC-82B□071□□	CMG322522-R82□	0.82	30	25.2	140	0.65	450
CC-10A□071□□	CMG322522-1R0□	1.0	30	7.96	90	0.70	400
CC-12A□071□□	CMG322522-1R2□	1.2	30	7.96	85	0.75	390
CC-15A□071□□	CMG322522-1R5□	1.5	30	7.96	70	0.85	370
CC-18A□071□□	CMG322522-1R8□	1.8	30	7.96	60	0.90	350
CC-22A□071□□	CMG322522-2R2□	2.2	30	7.96	50	1.00	320
CC-27A□071□□	CMG322522-2R7□	2.7	30	7.96	45	1.10	290
CC-33A□071□□	CMG322522-3R3□	3.3	30	7.96	40	1.20	260
CC-39A□071□□	CMG322522-3R9□	3.9	30	7.96	37	1.30	250
CC-47A□071□□	CMG322522-4R7□	4.7	30	7.96	32	1.50	220
CC-56A□071□□	CMG322522-5R6□	5.6	30	7.96	30	1.60	200
CC-68A□071□□	CMG322522-6R8□	6.8	30	7.96	28	1.80	180
CC-82A□071□□	CMG322522-8R2□	8.2	30	7.96	25	2.00	170
CC-100□071□□	CMG322522-100□	10	30	2.52	23	2.10	150
CC-120□071□□	CMG322522-120□	12	30	2.52	20	2.50	140
CC-150□071□□	CMG322522-150□	15	30	2.52	19	2.80	130
CC-180□071□□	CMG322522-180□	18	30	2.52	17	3.30	120
CC-220□071□□	CMG322522-220□	22	30	2.52	16	3.70	110
CC-270□071□□	CMG322522-270□	27	30	2.52	14	5.00	80
CC-330□071□□	CMG322522-330□	33	30	2.52	13	5.60	70
CC-390□071□□	CMG322522-390□	39	30	2.52	12	6.40	65
CC-470□071□□	CMG322522-470□	47	30	2.52	10	7.00	60
CC-560□071□□	CMG322522-560□	56	30	2.52	9	8.00	55
CC-680□071□□	CMG322522-680□	68	30	2.52	9	9.00	50
CC-820□071□□	CMG322522-820□	82	30	2.52	8	10.0	45
CC-101□071□□	CMG322522-101□	100	20	0.796	7	10.0	40
CC-121□071□□	CMG322522-121□	120	20	0.796	7	11.0	70
CC-151□071□□	CMG322522-151□	150	20	0.796	6	15.0	65
CC-181□071□□	CMG322522-181□	180	20	0.796	6	17.0	60
CC-221□071□□	CMG322522-221□	220	20	0.796	5	21.0	50
CC-271□071□□	CMG322522-271□	270	20	0.796	6	22.0	45
CC-331□071□□	CMG322522-331□	330	20	0.796	5	34.0	40

CC
05

WIRE WOUND CHIP INDUCTORS (CC SERIES)

trio

● ELECTRICAL CHARACTERISTICS

New Part No.	Old Part No.	L (μ H)	Q (Min.)	FREQ. (MHz)	SRF (MHz, Min.)	DCR (Ω , Max.)	IDC (mA, Max.)
CC-10B□091□□	CMG453232-R10□	0.10	28	25.2	700	0.44	450
CC-12B□091□□	CMG453232-R12□	0.12	30	25.2	500	0.22	450
CC-15B□091□□	CMG453232-R15□	0.15	30	25.2	450	0.25	450
CC-18B□091□□	CMG453232-R18□	0.18	30	25.2	400	0.28	450
CC-22B□091□□	CMG453232-R22□	0.22	30	25.2	350	0.32	450
CC-27B□091□□	CMG453232-R27□	0.27	30	25.2	320	0.36	450
CC-33B□091□□	CMG453232-R33□	0.33	30	25.2	300	0.40	450
CC-39B□091□□	CMG453232-R39□	0.39	30	25.2	250	0.45	450
CC-47B□091□□	CMG453232-R47□	0.47	30	25.2	220	0.50	450
CC-56B□091□□	CMG453232-R56□	0.56	30	25.2	180	0.55	450
CC-68B□091□□	CMG453232-R68□	0.68	30	25.2	160	0.60	450
CC-82B□091□□	CMG453232-R82□	0.82	30	25.2	140	0.67	450
CC-10A□091□□	CMG453232-1R0□	1.00	50	7.96	100	0.50	450
CC-12A□091□□	CMG453232-1R2□	1.20	50	7.96	80	0.55	430
CC-15A□091□□	CMG453232-1R5□	1.50	50	7.96	70	0.60	410
CC-18A□091□□	CMG453232-1R8□	1.80	50	7.96	60	0.65	390
CC-22A□091□□	CMG453232-2R2□	2.20	50	7.96	55	0.70	380
CC-27A□091□□	CMG453232-2R7□	2.70	50	7.96	50	0.75	370
CC-33A□091□□	CMG453232-3R3□	3.30	50	7.96	45	0.80	355
CC-39A□091□□	CMG453232-3R9□	3.90	50	7.96	40	0.90	330
CC-47A□091□□	CMG453232-4R7□	4.70	50	7.96	35	1.00	315
CC-56A□091□□	CMG453232-5R6□	5.60	50	7.96	33	1.10	300
CC-68A□091□□	CMG453232-6R8□	6.80	50	7.96	27	1.20	285
CC-82A□091□□	CMG453232-8R2□	8.20	50	7.96	25	1.40	270
CC-100□091□□	CMG453232-100□	10	50	2.52	20	1.60	250
CC-120□091□□	CMG453232-120□	12	50	2.52	18	2.00	225
CC-150□091□□	CMG453232-150□	15	50	2.52	17	2.50	200
CC-180□091□□	CMG453232-180□	18	50	2.52	15	2.80	190
CC-220□091□□	CMG453232-220□	22	50	2.52	13	3.20	180
CC-270□091□□	CMG453232-270□	27	50	2.52	12	3.60	170
CC-330□091□□	CMG453232-330□	33	50	2.52	11	4.00	160
CC-390□091□□	CMG453232-390□	39	50	2.52	10	4.50	150
CC-470□091□□	CMG453232-470□	47	50	2.52	10	5.00	140
CC-560□091□□	CMG453232-560□	56	50	2.52	9	5.50	135
CC-680□091□□	CMG453232-680□	68	50	2.52	9	6.00	130
CC-820□091□□	CMG453232-820□	82	50	2.52	8	7.00	120
CC-101□091□□	CMG453232-101□	100	40	0.796	8	8.00	110
CC-121□091□□	CMG453232-121□	120	40	0.796	6	8.00	110
CC-151□091□□	CMG453232-151□	150	40	0.796	5	9.00	105
CC-181□091□□	CMG453232-181□	180	40	0.796	5	9.50	102
CC-221□091□□	CMG453232-221□	220	40	0.796	4	12.0	100
CC-271□091□□	CMG453232-271□	270	30	0.796	4	18.0	92
CC-331□091□□	CMG453232-331□	330	30	0.796	3.5	20.0	85
CC-391□091□□	CMG453232-391□	390	30	0.796	3	23.0	80
CC-471□091□□	CMG453232-471□	470	30	0.796	3	26.0	62
CC-561□091□□	CMG453232-561□	560	30	0.796	3	30.0	50
CC-681□091□□	CMG453232-681□	680	30	0.796	3	40.0	50
CC-821□091□□	CMG453232-821□	820	30	0.796	2.5	45.0	30
CC-102□091□□	CMG453232-102□	1000	30	0.796	2.5	50.0	30

CC
06

WIRE WOUND CHIP INDUCTORS (CC SERIES)

trio

● ELECTRICAL CHARACTERISTICS

New Part No.	Old Part No.	L (μ H)	Q (Min.)	FREQ. (MHz)	SRF (MHz, Min.)	DCR (Ω , Max.)	IDC (mA, Max.)
CC-122□101□□	CMG565050-122□	1200	30	0.252	1.5	17.0	75
CC-152□101□□	CMG565050-152□	1500	30	0.252	1.4	20.0	70
CC-182□101□□	CMG565050-182□	1800	30	0.252	1.3	30.0	60
CC-222□101□□	CMG565050-222□	2200	30	0.252	1.2	35.0	55
CC-272□101□□	CMG565050-272□	2700	30	0.252	1.1	55.0	45
CC-332□101□□	CMG565050-332□	3300	30	0.252	1.0	60.0	40
CC-392□101□□	CMG565050-392□	3900	30	0.252	1.0	70.0	38
CC-472□101□□	CMG565050-472□	4700	30	0.252	0.9	78.0	36
CC-562□101□□	CMG565050-562□	5600	30	0.252	0.8	85.0	33
CC-682□101□□	CMG565050-682□	6800	30	0.252	0.7	110	30
CC-822□101□□	CMG565050-822□	8200	30	0.252	0.6	125	28
CC-103□101□□	CMG565050-103□	10000	20	0.0796	0.5	150	25

• Operating temperature range : -25°C to +85°C

CC
07