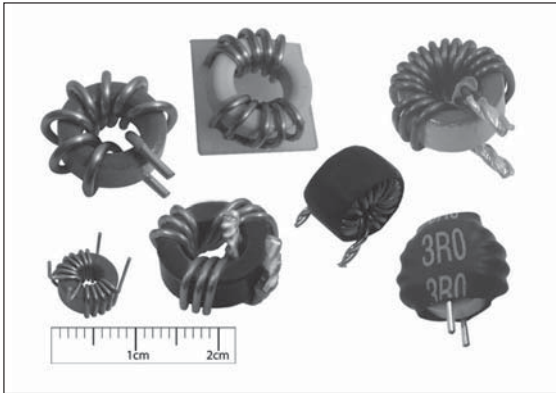


TOROIDAL COIL INDUCTORS (LG SERIES)

trio



● PART NUMBERING

LG - □□□ □ □□ □ □□
(1) (2) (3) (4) (5) (6)

- (1) Series
- (2) Inductance
- (3) Tolerance
- (4) Dimension
- (5) Material
- (6) Internal Serial No.

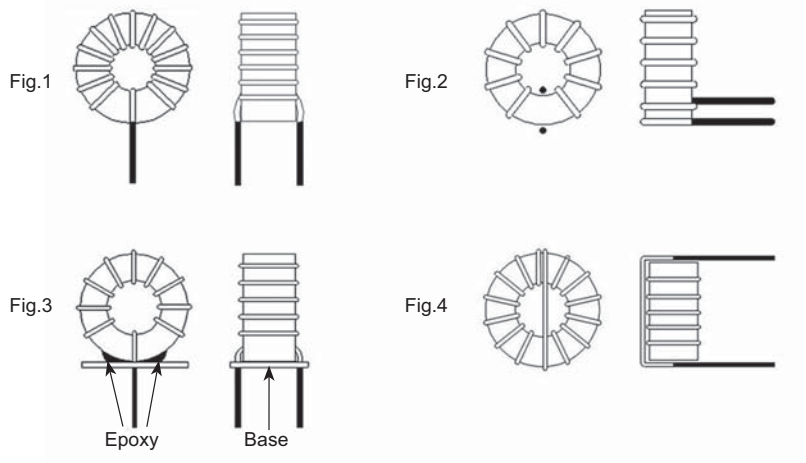
● FEATURES

- High saturated magnetic flux density.
- In toroidal type of less flux leakage and beat.
- Low radiation and low core loss.
- Preciseness in the inductance is remarkable.
- High current, horizontal or vertical mount.
- Easy PC board mounting.

● APPLICATIONS

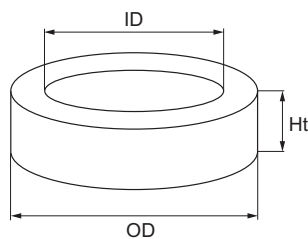
- Switching power supplies
- Personal computers and servers
- EMI/RFI filters
- DC/DC converters
- I/P & O/P

● CONFIGURATIONS



LG
01

● DIMENSIONS & ELECTRICAL CHARACTERISTICS OF TOROIDAL CORES



- ※ Color Code
- 2 Red/Clear
 - 8/90 Yellow/Red
 - 18 Green/Red
 - 19 Red/Green
 - 26 Yellow/White
 - 52 Green/Blue

Customers' designs and requirements are welcome.

TOROIDAL COIL INDUCTORS (LG SERIES)

trio

Core Code	AL(nH/N ²)	OD(mm)	ID(mm)	Ht(mm)	Core Code	AL(nH/N ²)	OD(mm)	ID(mm)	Ht(mm)
T25-2	3.4	6.48	3.05	2.44	T60-2	6.50	15.2	8.53	5.94
T25-8/90	10.0				T60-8/90	19.0			
T25-18	17.0				T60-18	34.5			
T25-26	24.5				T60-19	34.5			
T25-52	23.0				T60-26	50.0			
T26-8/90	24.0	6.73	2.67	4.83	T60-52	47.0			
T26-18	41.5				T60-26D	97.0	15.2	8.53	11.9
T26-26	57.0				T60-52D	94.0			
T26-52	56.0				T68-2	5.70	17.5	9.40	4.83
T27-2	3.30	7.11	3.84	3.25	T68-8/90	19.5			
T27-8/90	11.5				T68-18	29.0			
T27-18	18.5				T68-19	29.0			
T27-26	27.5				T68-26	43.5			
T27-52	25.5				T68-52	40.0			
T30-2	4.30	7.80	3.84	3.25	T68-2A	7.00	17.5	9.40	6.35
T30-8/90	14.0				T68-8A/90	26.0			
T30-18	22.0				T68-18A	39.5			
T30-26	33.5				T68-19A	39.5			
T30-52	30.5				T68-26A	58.0			
T37-2	4.00	9.53	5.21	3.25	T68-52A	54.0			
T37-8/90	12.0				T68-2D	11.4	17.5	9.40	9.53
T37-18	19.0				T68-26D	87.0			
T37-19	19.0				T68-52D	80.0			
T37-26	28.5				T72-2	12.8	18.3	7.11	6.60
T37-52	26.0				T72-8/90	36.0			
T38-2	7.40	9.53	4.45	4.83	T72-18	60.0			
T38-8/90	20.0				T72-26	90.0			
T38-18	36.0				T72-52	82.0			
T38-19	36.0				T80-2	5.50	20.2	12.6	6.35
T38-26	49.0				T80-8/90	18.0			
T38-52	49.0				T80-18	31.0			
T44-2	5.20	11.2	5.82	4.04	T80-19	31.0			
T44-8/90	18.0				T80-26	46.0			
T44-18	25.5				T80-52	42.0			
T44-19	25.5				T80-8B/90	29.5	20.2	12.6	9.53
T44-26	37.0				T80-18B	46.5			
T44-52	35.0				T80-19B	46.5			
T44-52C	55.0	11.2	5.82	6.35	T80-26B	71.0			
T44-52D	70.0	11.2	5.82	8.59	T80-52B	63.0			
T50-2	4.90	12.7	7.70	4.83	T80-26D	92.0	20.2	12.6	12.7
T50-8/90	17.5				T80-52D	83.0			
T50-18	24.0				T90-8/90	30.0	22.9	14.0	9.53
T50-19	24.0				T90-18	47.0			
T50-26	33.0				T90-19	47.0			
T50-52	33.0				T90-26	70.0			
T50-8B/90	23.0	12.7	7.70	6.35	T90-52	64.0			
T50-18B	32.0				T94-2	8.40	23.9	14.2	7.92
T50-19B	32.0				T94-8/90	25.0			
T50-26B	43.5				T94-18	42.0			
T50-52B	43.5				T94-19	42.0			
T50-8C/90	28.3	12.7	7.70	8.51	T94-26	60.0			
T50-26C	61.0				T94-52	57.0			
T50-26D	72.0	12.7	7.70	9.53					
T50-52D	66.0								
T51-8C/90	37.0	12.7	5.08	6.35					
T51-18C	55.0								
T51-26C	83.0								
T51-52C	75.0								
T57-52	49.5	14.6	6.93	4.98					
T57-52A	66.0	14.6	6.93	6.68					

- AL tolerance: +/-8% for > T80 core; +/-10% for ≤ T80 core.
- Tested at 10KHz, 10 Gauss, ACpk.
- Operating temperature : -50°C to +105°C
- Storage temperature : -40°C to +85°C
- Epoxy coated core with Min. dielectric strength of 500Vrms at 60Hz.

LG
02