

● PART NUMBERING

EA - □□□ □ □□ □□ □□
(1) (2) (3) (4) (5) (6)

- (1) Series
- (2) Inductance
- (3) Tolerance
- (4) Dimension
- (5) Material
- (6) Internal Serial No.

EA
22

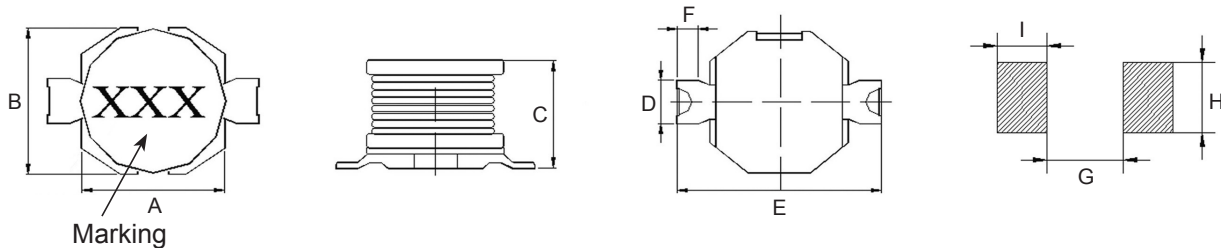
● FEATURES

- Miniature and low profile.
- High saturation for surface mounting.
- Rugged mounting pad construction.
- Suitable for reflow soldering.

● APPLICATIONS

- DC/DC converters
- Computers
- Power amplifiers
- Switching power supplies
- Noise / EMI / RFI filtering
- PDAs & DSCs
- Portable communication equipment

● CONFIGURATIONS & DIMENSIONS



Unit : mm

SERIES	A	B	C	D	E	F	G	H	I
EA-76U	4.4 Max.	4.4 Max.	3.1 Max.	1.3 Typ.	6.3 Typ.	0.9 Typ.	4.5 Typ.	1.9 Typ.	1.2 Typ.

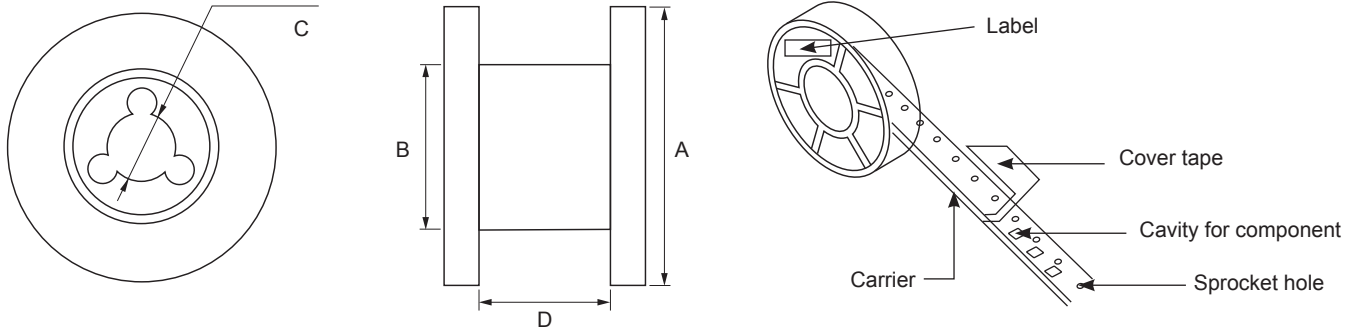
• For packaging information, please refer to page P.40.

● ELECTRICAL CHARACTERISTICS

New Part No.	Old Part No.	L (μ H)	FREQ. (KHz/1V)	DCR (Ω , Max.)	Isat (A, Max.)	Irms (A, Max.)
EA-10A□76U□□	SDRG6526-1R0□	1.0	100	0.072	1.61	1.34
EA-15A□76U□□	SDRG6526-1R5□	1.5	100	0.084	1.46	1.22
EA-22A□76U□□	SDRG6526-2R2□	2.2	100	0.108	1.30	1.08
EA-33A□76U□□	SDRG6526-3R3□	3.3	100	0.134	1.16	0.97
EA-47A□76U□□	SDRG6526-4R7□	4.7	100	0.160	1.09	0.91
EA-68A□76U□□	SDRG6526-6R8□	6.8	100	0.197	0.95	0.79
EA-100□76U□□	SDRG6526-100□	10	100	0.330	0.76	0.63
EA-120□76U□□	SDRG6526-120□	12	100	0.350	0.71	0.59
EA-150□76U□□	SDRG6526-150□	15	100	0.400	0.67	0.56
EA-180□76U□□	SDRG6526-180□	18	100	0.450	0.61	0.51
EA-220□76U□□	SDRG6526-220□	22	100	0.534	0.56	0.47
EA-270□76U□□	SDRG6526-270□	27	100	0.618	0.52	0.43
EA-330□76U□□	SDRG6526-330□	33	100	0.903	0.44	0.37
EA-390□76U□□	SDRG6526-390□	39	100	1.010	0.41	0.34
EA-470□76U□□	SDRG6526-470□	47	100	1.355	0.35	0.29
EA-560□76U□□	SDRG6526-560□	56	100	1.515	0.34	0.28
EA-680□76U□□	SDRG6526-680□	68	100	1.713	0.31	0.26
EA-820□76U□□	SDRG6526-820□	82	100	2.312	0.26	0.22
EA-101□76U□□	SDRG6526-101□	100	100	2.640	0.25	0.21
EA-121□76U□□	SDRG6526-121□	120	100	3.502	0.23	0.19
EA-151□76U□□	SDRG6526-151□	150	100	4.132	0.20	0.17
EA-181□76U□□	SDRG6526-181□	180	100	4.534	0.19	0.16
EA-221□76U□□	SDRG6526-221□	220	100	6.646	0.16	0.13
EA-271□76U□□	SDRG6526-271□	270	100	7.523	0.14	0.12

- Tested at 25°C.
- Temperature rise : 30°C Typ. at I_{rms}
- Inductance drop : 10% Typ. at I_{sat}
- Operating temperature : -55°C to +105°C
- Storage temperature : -40°C to +85°C

● PACKAGING INFORMATION

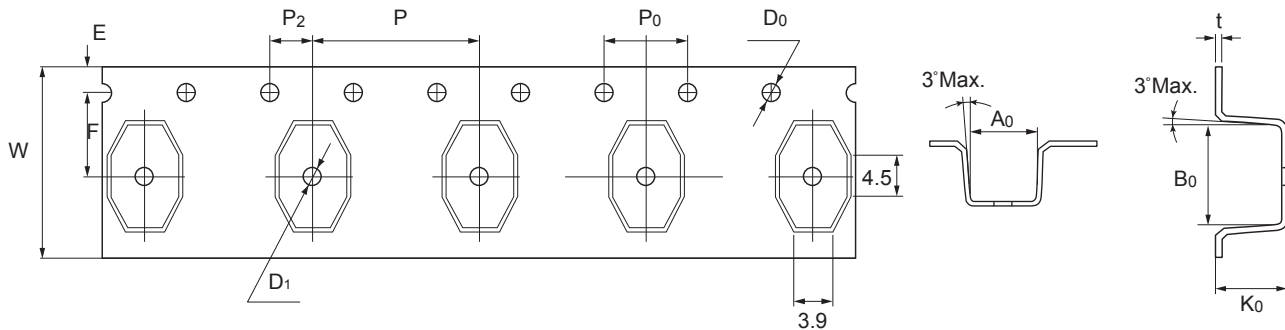


EA
24

● REEL Dimensions

Unit : mm

SERIES	A	B	C	D	PCS/REEL Ø330mm
EA-55A	330	75.0±2.0	13.5±0.5	16.4	1,000
EA/EB-63A/B	330	75.0±2.0	13.5±0.5	16.4	2,500
EA/EB-66A/B	330	75.0±2.0	13.5±0.5	24.4	1,000
EA/EB-67A/B	330	75.0±2.0	13.5±0.5	24.4	1,000
EA/EB-68A/B	330	75.0±2.0	13.5±0.5	32.4	200
EA/EB-69A/B	330	75.0±2.0	13.5±0.5	32.4	350

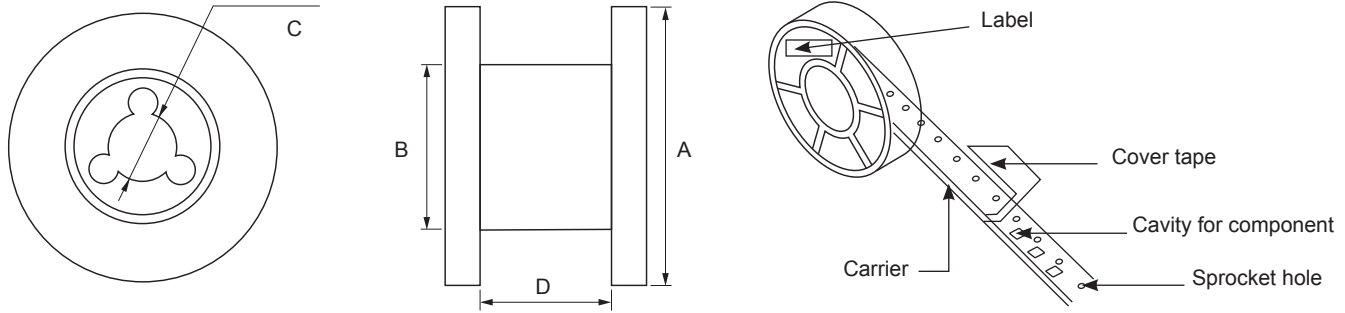


● TAPE Dimensions

Unit : mm

SERIES	W	A ₀	B ₀	K ₀	P	E	F	D ₀	D ₁	P ₀	P ₂	t
EA-55A	16.0±0.2	6.90±0.1	9.10±0.1	5.80±0.1	12.0±0.1	1.75±0.1	7.50±0.1	1.5±0.1	2.0±0.1	4.0±0.1	2.0±0.1	0.4±0.05
EA/EB-63A/B	16.0±0.2	4.40±0.1	6.70±0.1	3.20±0.1	8.00±0.1	1.75±0.1	7.50±0.1	1.5±0.1	2.0±0.1	4.0±0.1	2.0±0.1	0.4±0.05
EA/EB-66A/B	24.0±0.2	9.70±0.1	13.4±0.1	3.30±0.1	12.0±0.1	1.75±0.1	11.5±0.1	1.5±0.1	2.0±0.1	4.0±0.1	2.0±0.1	0.4±0.05
EA/EB-67A/B	24.0±0.2	9.70±0.1	13.4±0.1	5.40±0.1	12.0±0.1	1.75±0.1	11.5±0.1	1.5±0.1	2.0±0.1	4.0±0.1	2.0±0.1	0.4±0.05
EA/EB-68A/B	32.0±0.2	9.70±0.1	13.5±0.1	11.6±0.1	24.0±0.1	1.75±0.1	14.5±0.1	1.5±0.1	2.0±0.1	4.0±0.1	2.0±0.1	0.4±0.05
EA/EB-69A/B	32.0±0.2	15.4±0.1	18.8±0.1	7.30±0.1	24.0±0.1	1.75±0.1	14.5±0.1	1.5±0.1	2.0±0.1	4.0±0.1	2.0±0.1	0.4±0.05

● PACKAGING INFORMATION

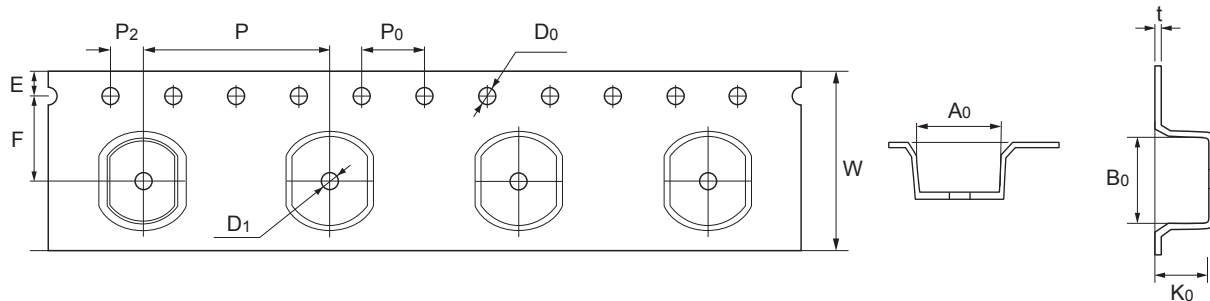


EA
25

● REEL Dimensions

Unit : mm

SERIES	A	B	C	D	PCS/REEL Ø330mm
EA-02C	330	75.0±2.0	13.5±0.5	12.4	3,000
EA-03C	330	75.0±2.0	13.5±0.5	12.4	3,000
EA-05C	330	75.0±2.0	13.5±0.5	12.4	2,500
EA-07C	330	75.0±2.0	13.5±0.5	12.4	2,000
EA-09C	330	75.0±2.0	13.5±0.5	12.4	2,500
EA-13C	330	75.0±2.0	13.5±0.5	12.4	1,500
EA-15C	330	75.0±2.0	13.5±0.5	16.4	1,000
EA-18C	330	75.0±2.0	13.5±0.5	16.4	1,000
EA-19C	330	75.0±2.0	13.5±0.5	24.4	1,000
EA-20C	330	75.0±2.0	13.5±0.5	24.4	1,000
EA-21C	330	75.0±2.0	13.5±0.5	24.4	400
EA-27C	330	75.0±2.0	13.5±0.5	12.4	3,000
EA-13U	330	75.0±2.0	13.5±0.5	16.4	2,500
EA-15U	330	75.0±2.0	13.5±0.5	16.4	1,000
EA-76U	330	75.0±2.0	13.5±0.5	24.4	400

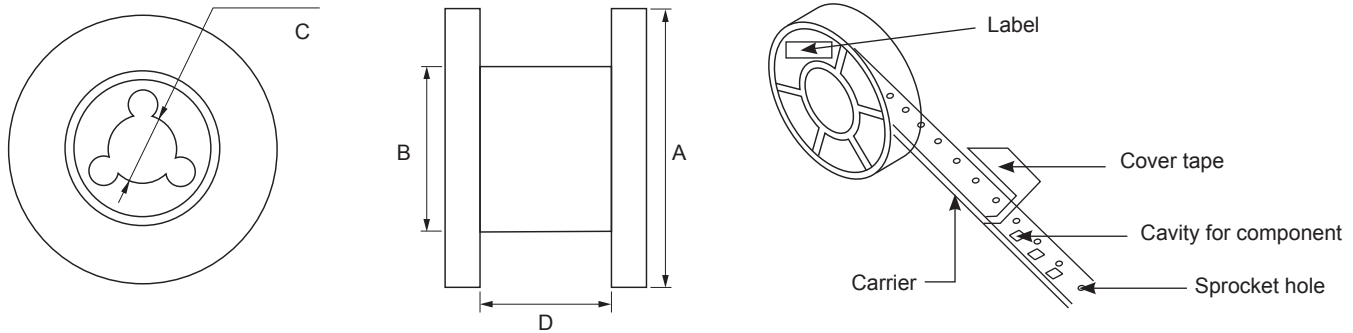


● TAPE Dimensions

Unit : mm

SERIES	W	A ₀	B ₀	K ₀	P	E	F	D ₀ / D ₁	P ₀	P ₂	t
EA-02C	12.0±0.2	3.20±0.1	3.70±0.1	1.8±0.1	8.00±0.1	1.75±0.1	5.50±0.1	1.5±0.1	4.0±0.1	2.0±0.1	0.3±0.05
EA-03C	12.0±0.2	3.05±0.1	3.20±0.1	2.6±0.1	8.00±0.1	1.75±0.1	5.50±0.1	1.5±0.1	4.0±0.1	2.0±0.1	0.3±0.05
EA-05C	12.0±0.2	4.50±0.1	4.80±0.1	3.5±0.1	8.00±0.1	1.75±0.1	5.50±0.1	1.5±0.1	4.0±0.1	2.0±0.1	0.3±0.05
EA-07C	12.0±0.2	5.60±0.1	6.20±0.1	2.8±0.1	8.00±0.1	1.75±0.1	5.50±0.1	1.5±0.1	4.0±0.1	2.0±0.1	0.4±0.05
EA-09C	12.0±0.2	5.60±0.1	6.30±0.1	5.0±0.1	8.00±0.1	1.75±0.1	5.50±0.1	1.5±0.1	4.0±0.1	2.0±0.1	0.4±0.05
EA-13C	12.0±0.2	7.30±0.1	8.30±0.1	4.0±0.1	12.0±0.1	1.75±0.1	7.50±0.1	1.5±0.1	4.0±0.1	2.0±0.1	0.4±0.05
EA-15C	12.0±0.2	7.30±0.1	8.30±0.1	5.6±0.1	12.0±0.1	1.75±0.1	7.50±0.1	1.5±0.1	4.0±0.1	2.0±0.1	0.4±0.05
EA-18C	24.0±0.2	9.60±0.1	10.3±0.1	4.2±0.1	12.0±0.1	1.75±0.1	11.5±0.1	1.5±0.1	4.0±0.1	2.0±0.1	0.4±0.05
EA-19C	24.0±0.2	9.60±0.1	10.3±0.1	5.8±0.1	12.0±0.1	1.75±0.1	11.5±0.1	1.5±0.1	4.0±0.1	2.0±0.1	0.4±0.05
EA-20C	24.0±0.2	9.60±0.1	10.9±0.1	7.2±0.1	16.0±0.1	1.75±0.1	11.5±0.1	1.5±0.1	4.0±0.1	2.0±0.1	0.4±0.05
EA-21C	24.0±0.2	9.60±0.1	10.9±0.1	8.5±0.1	16.0±0.1	1.75±0.1	11.5±0.1	1.5±0.1	4.0±0.1	2.0±0.1	0.4±0.05
EA-27C	12.0±0.2	3.20±0.1	3.70±0.1	1.5±0.1	8.00±0.1	1.75±0.1	5.50±0.1	1.5±0.1	4.0±0.1	2.0±0.1	0.3±0.05
EA-13U	16.0±0.2	7.60±0.1	7.60±0.1	4.0±0.1	12.0±0.1	1.75±0.1	7.50±0.1	1.5±0.1	4.0±0.1	2.0±0.1	0.4±0.05
EA-15U	16.0±0.2	7.60±0.1	7.60±0.1	5.0±0.1	12.0±0.1	1.75±0.1	7.50±0.1	1.5±0.1	4.0±0.1	2.0±0.1	0.4±0.05
EA-76U	16.0±0.2	4.40±0.1	6.70±0.1	3.2±0.1	8.00±0.1	1.75±0.1	7.50±0.1	1.5±0.1	4.0±0.1	2.0±0.1	0.4±0.05

● PACKAGING INFORMATION

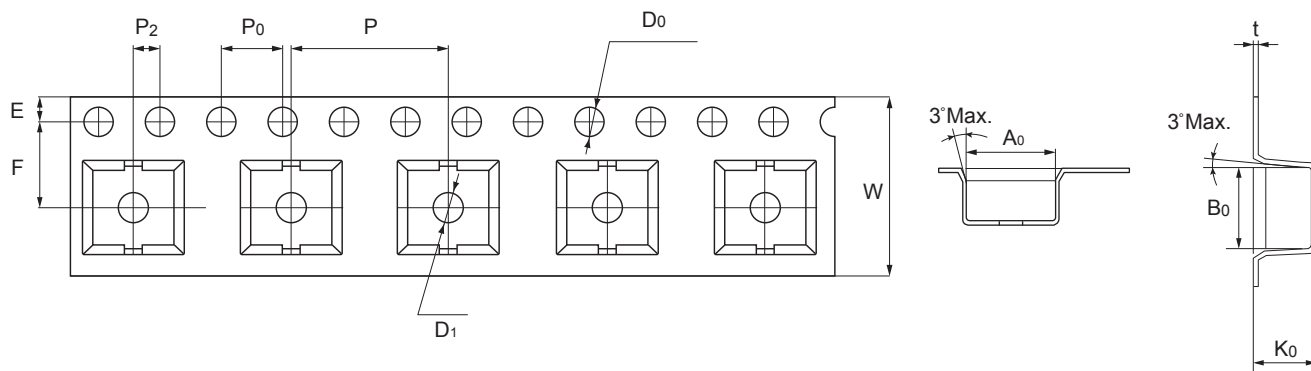


EA
26

● REEL Dimensions

Unit : mm

SERIES	A	B	C	D	PCS/REEL Ø330mm
EA-01J	178	50.0±2.0	13.5±0.5	8.4	2,500
EA-27J	180	62.0±2.0	13.5±0.5	13.0	3,500
EA-02J	178	50.0±2.0	13.5±0.5	8.4	2,000
EA-03J	178	50.0±2.0	13.5±0.5	8.4	2,000
EA-05J	330	75.0±2.0	13.5±0.5	12.4	2,500
EA-12J	330	75.0±2.0	13.5±0.5	16.4	1,000



● TAPE Dimensions

Unit : mm

SERIES	W	A ₀	B ₀	K ₀	P	E	F	D ₀ / D ₁	P ₀	P ₂	t
EA-01J	8.00±0.2	1.80±0.15	2.40±0.15	1.70±0.15	4.00±0.15	1.75±0.15	3.5±0.15	1.5±0.1	4.0±0.15	2.0±0.15	0.22±0.10
EA-27J	12.0±0.2	3.10±0.15	3.10±0.15	1.50±0.15	8.00±0.15	1.75±0.15	3.5±0.15	1.5±0.1	4.0±0.15	2.0±0.15	0.30±0.10
EA-02J	8.00±0.2	2.00±0.15	3.65±0.15	2.10±0.15	4.00±0.15	1.75±0.15	3.5±0.15	1.5±0.1	4.0±0.15	2.0±0.15	0.22±0.10
EA-03J	8.00±0.2	2.88±0.15	3.65±0.15	2.50±0.15	4.00±0.15	1.75±0.15	3.5±0.15	1.5±0.1	4.0±0.15	2.0±0.15	0.22±0.10
EA-05J	12.0±0.2	4.87±0.15	5.55±0.15	3.30±0.15	8.00±0.15	1.75±0.15	5.5±0.15	1.5±0.1	4.0±0.15	2.0±0.15	0.40±0.10
EA-12J	16.0±0.2	6.40±0.15	6.40±0.15	5.10±0.15	12.0±0.15	1.75±0.15	7.5±0.15	1.5±0.1	4.0±0.15	2.0±0.15	0.45±0.10